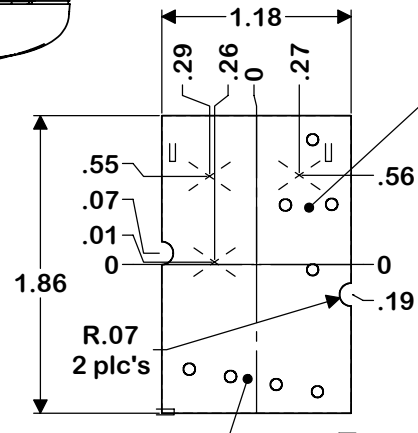
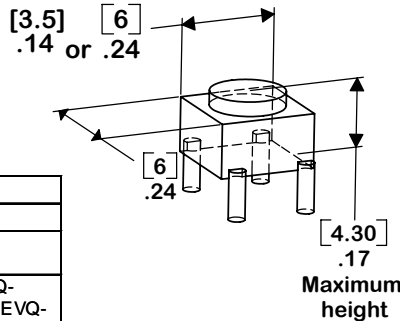


Parameters for Tact Switch [mm]



Coin battery holder- location A

Circuit Board (.062" or .031") thickness overall dimensions (detailed drawing available)

Coin battery holder- location B

- NOTES:**
 1) Serpac Provides the following components:
 Top, Bottom, Buttons, (2) #2 Screws and a Ring
 All Components are shipped unassembled.

2) The following components fit this enclosure.

	Manufacturer	PN option I	PN option II
A	OMRON	6mm type: B3F-1000, B3F-1002, B3F-1020	
A	PANASONIC	6mm EVQ-P1D05M, EVQ-PAG04M, EVQ-PAE04M	6 X 3.5mm type: EVQ-PJA04Q, EVQ-PJA05Q, EVQ-PJB04K
Other switches manufacturers and types will fit the unit. Please see parameters for Tact Switch sketch.			
B+	KEYSTONE	3003 positive	
B-	KEYSTONE	2990 negative	

5/07/04

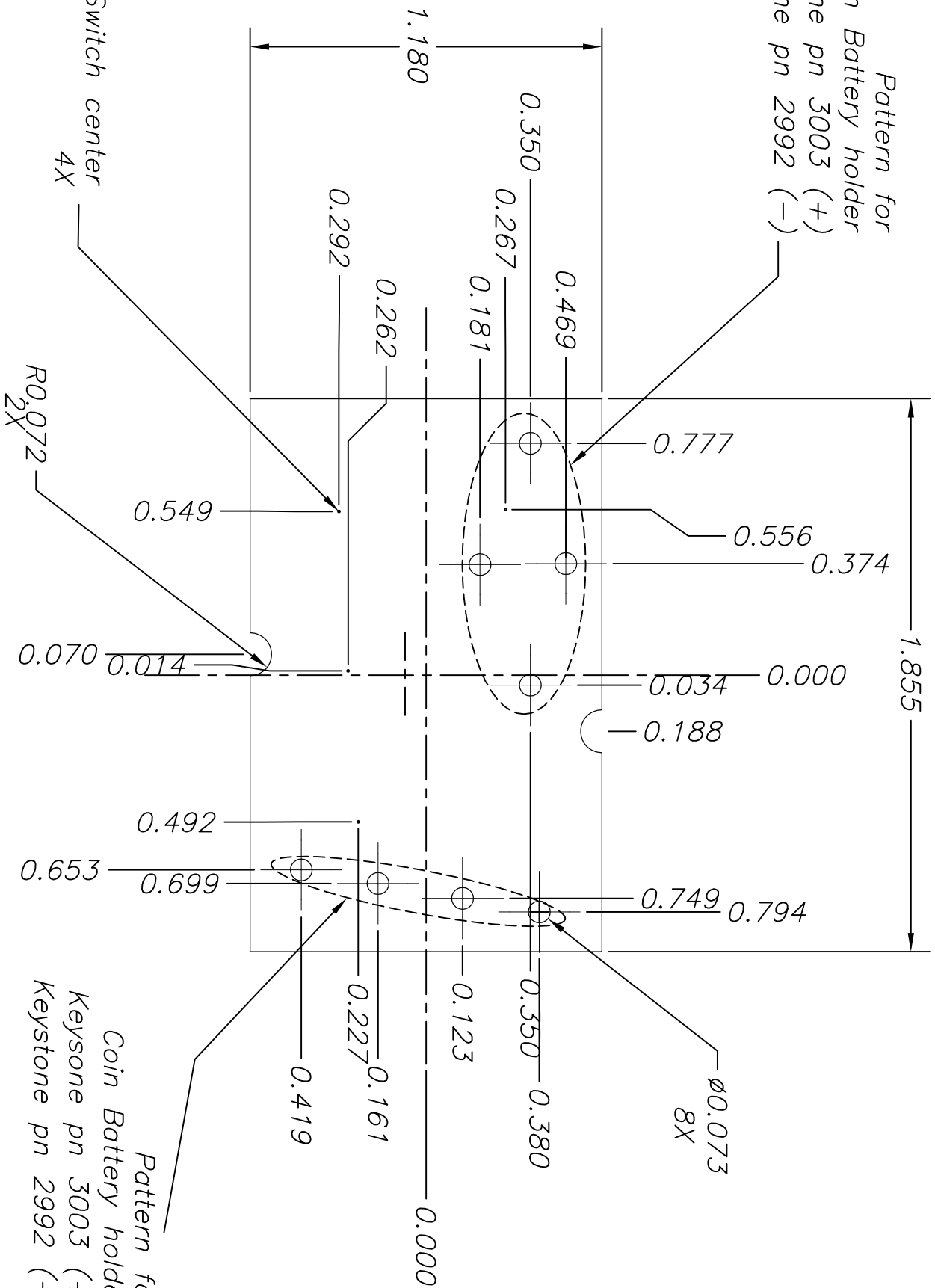
ALL DIMENSIONS ARE ± .010"

619 Commercial Ave. Covina, CA 91723
 (626) 331-0517 Fax (626) 331-8584 www.serpac.com.

SERPAC Electronic Enclosures

CIRCUIT BOARD CA4

Pattern for
Coin Battery holder
Keystone pn 3003 (+)
Keystone pn 2992 (-)



Pattern for
Coin Battery holder
Keystone pn 3003 (+)
Keystone pn 2992 (-)

Switch center
4X

NOTES:
Not a Stocked item.
05-2008 RevA New print.